

## RIGID • IMC

### Universal Super Fitting™ 5 Piece Coupling



#### Applications

- Used to join two lengths of conduit; couples conduit when conduit cannot be turned
- Threaded GRC/IMC to threaded GRC/IMC
- Threaded GRC/IMC to unthreaded GRC/IMC/EMT/PVC
- Unthreaded GRC/IMC/EMT/PVC to unthreaded GRC/IMC/EMT/PVC

#### Features

- UL Listed concrete tight
- Permitted for use in Class I Division 2 locations per section 501.10(B)(1) of the NEC®
- Permitted for use in Class II Division 2 locations per section 502.10(B)(1) of the NEC®
- Ease of installation/quick-connect
- Universal connecting - threaded to threaded, threaded to unthreaded
- No more turning pipe
- Self Pipe Alignment
- Eliminates field threading
- Fit GRC/IMC/EMT (fits all UL approved metal pipe)
- Fit PVC Schedule 40 and Schedule 80
- 40 to 50% less weight

#### Standard Materials

Steel

#### Standard Finish

Zinc Plated

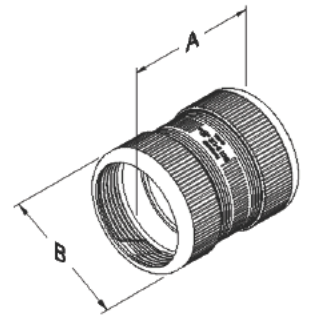
#### Applicable Third Party Standards

- UL us Listed UL 514B; C22.2 No. 18.3-12
- UL Listed File # E207875

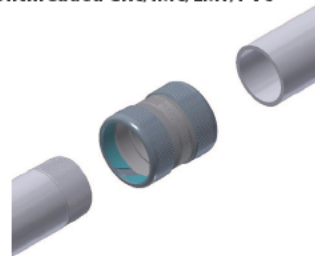
U.S. Patent No. 8.586.881



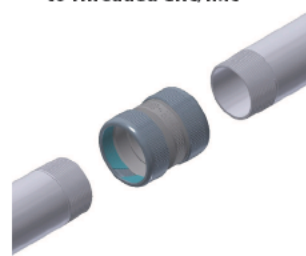
**No disassembly required!**  
**Just insert and tighten.**



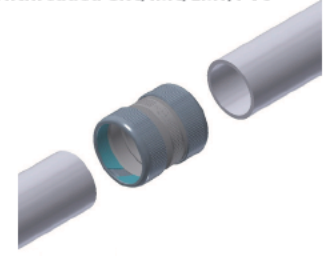
Threaded GRC/IMC to  
Unthreaded GRC/IMC/EMT/PVC



Threaded GRC/IMC  
to Threaded GRC/IMC



Unthreaded GRC/IMC/EMT/PVC  
to Unthreaded GRC/IMC/EMT/PVC



| CATALOG NUMBER | REPLACES PART NUMBER | TRADE SIZE | DIM A | DIM B | INNER PACK | MASTER PACK | WEIGHT PER UNIT (lbs) |
|----------------|----------------------|------------|-------|-------|------------|-------------|-----------------------|
| SRCK50KON*     | RCK50KON             | ½"         | 1.471 | 1.240 | 25         | 100         | 0.280                 |
| SRCK75KON*     | RCK75KON             | ¾"         | 1.492 | 1.440 | 25         | 100         | 0.332                 |
| SRCK100KON*    | RCK100KON            | 1"         | 1.731 | 1.720 | 10         | 50          | 0.428                 |
| SRCK125KON*    | RCK125KON            | 1 ¼"       | 1.928 | 2.070 | 5          | 25          | 0.668                 |
| SRCK150KON*    | RCK150KON            | 1 ½"       | 2.006 | 2.320 | 5          | 25          | 0.780                 |
| SRCK200KON*    | RCK200KON            | 2"         | 2.004 | 2.800 | 2          | 10          | 0.984                 |
| SRCK250KON**   | RCK250KON            | 2 ½"       | 4.120 | 3.450 | 2          | 2           | 2.300                 |
| SRCK300KON**   | RCK300KON            | 3"         | 4.160 | 4.080 | 1          | 1           | 2.900                 |
| SRCK350KON**   | RCK350KON            | 3 ½"       | 4.450 | 4.590 | 1          | 1           | 3.800                 |
| SRCK400KON**   | RCK400KON            | 4"         | 4.500 | 5.090 | 1          | 1           | 4.300                 |

\* Use with Rigid, IMC

\*\* Use with Rigid, IMC, EMT, and PVC